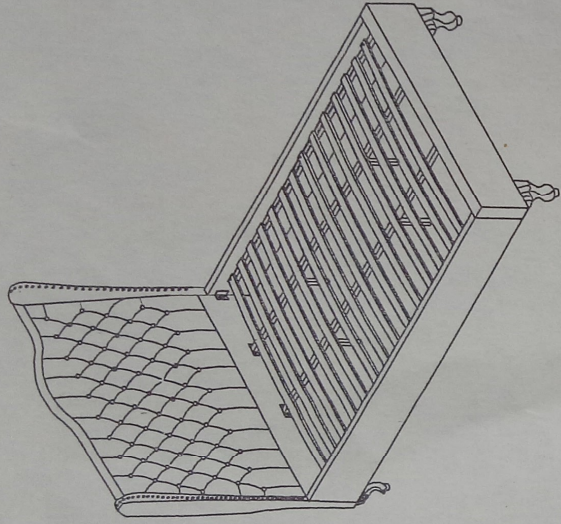


ASSEMBLY INSTRUCTION

5520

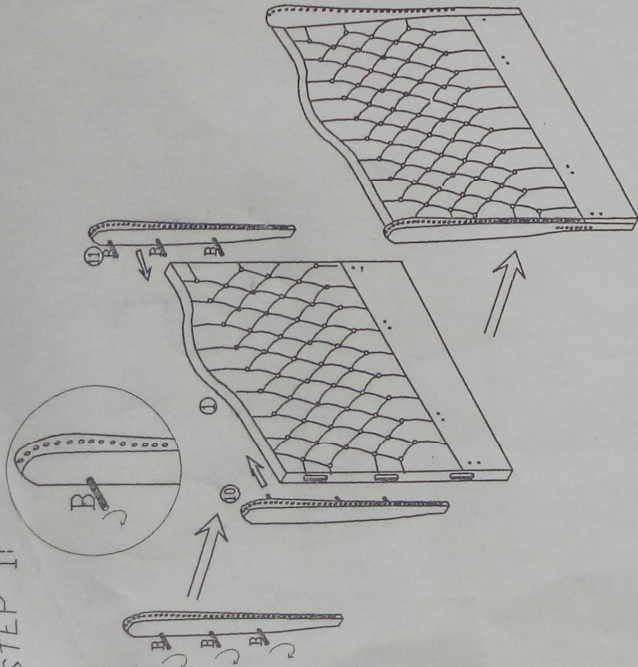


PARTS LIST

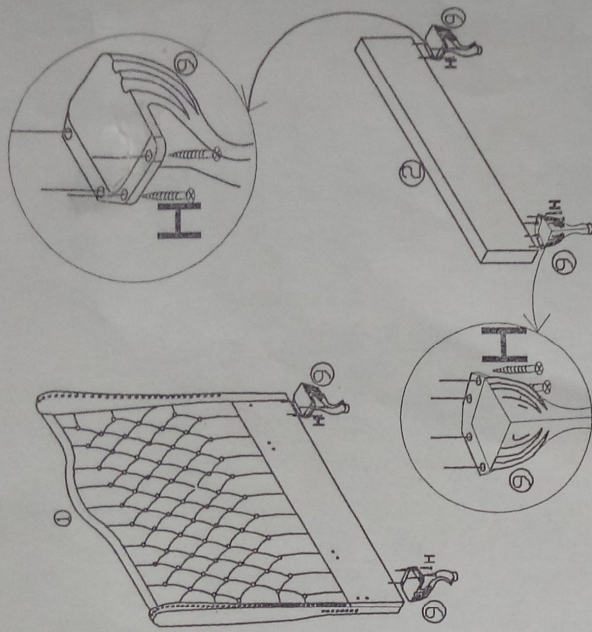
- ①-Head Board(1pc) ②-Foot Board (1pc) ③-Side Rails (2pcs)
- ④-Center Support(2pcs) ⑤-Support Legs(4pcs) ⑥-Slats Join
- ⑦-Legs(4pcs) ⑧-Left wing(1pc) ⑨-Right wing(1pc)

- A Bolt M8*30mm 24pcs B Bolt M8*80mm 6pcs C Nut M8*13mm 14pcs D Spring Washer 8pcs
- E Flat Washer 8*20 8pcs F M8 Allen Key 1pc G Spanner 1pc H Screw 35MM*22pcs I Flat Washer 8*25 6 pcs

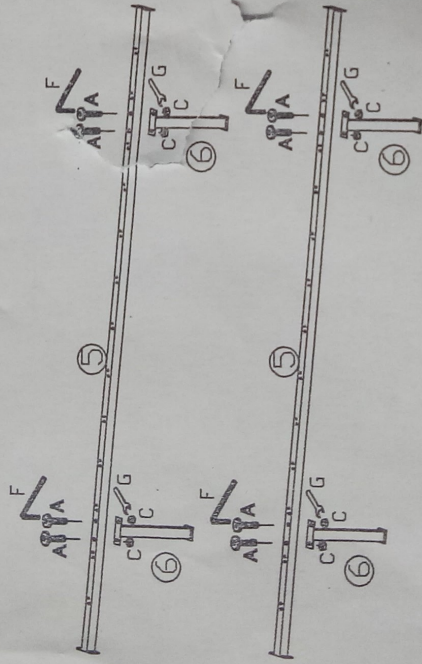
STEP 1:



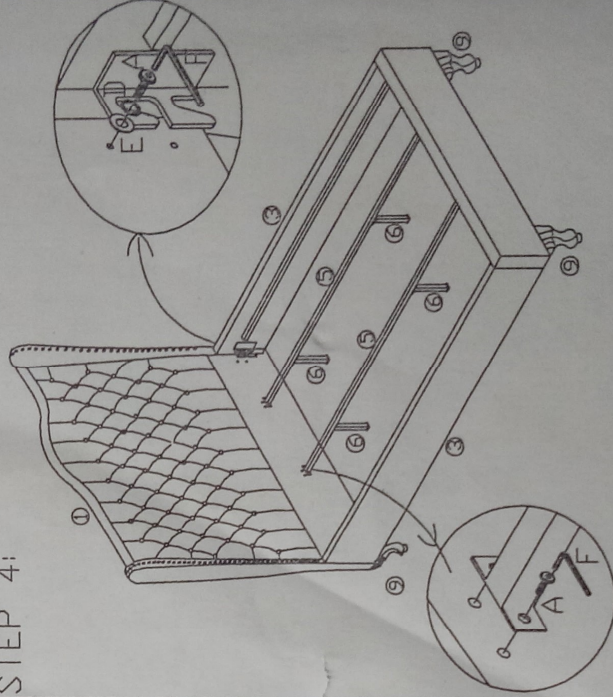
STEP 2:



STEP 3:



STEP 4:



STEP 5:

