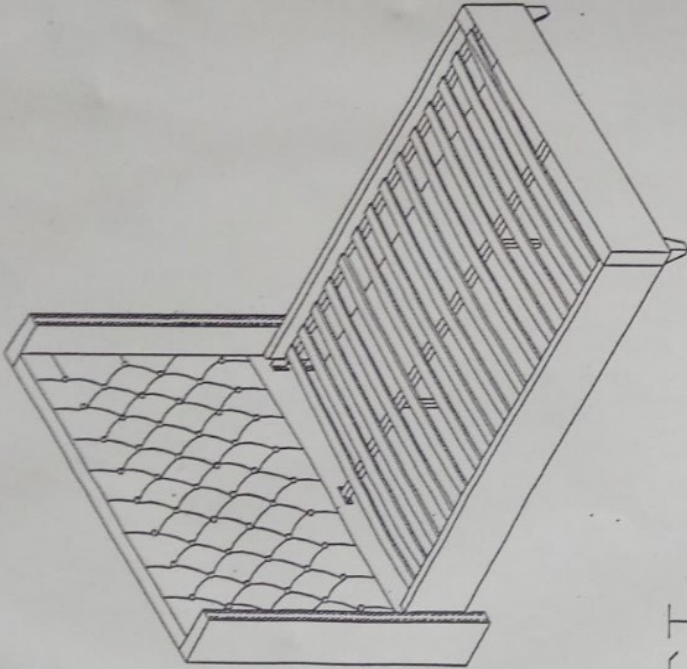
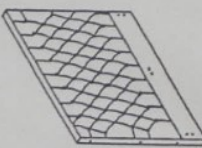


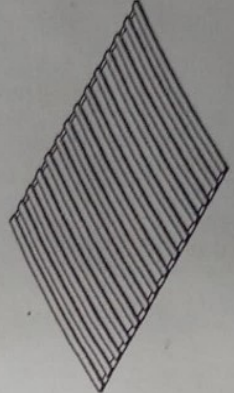
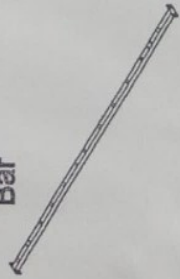
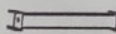

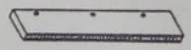
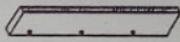


602Q---ASSEMBLY INSTRUCTION




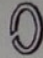
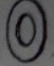

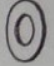
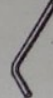

5891
5897



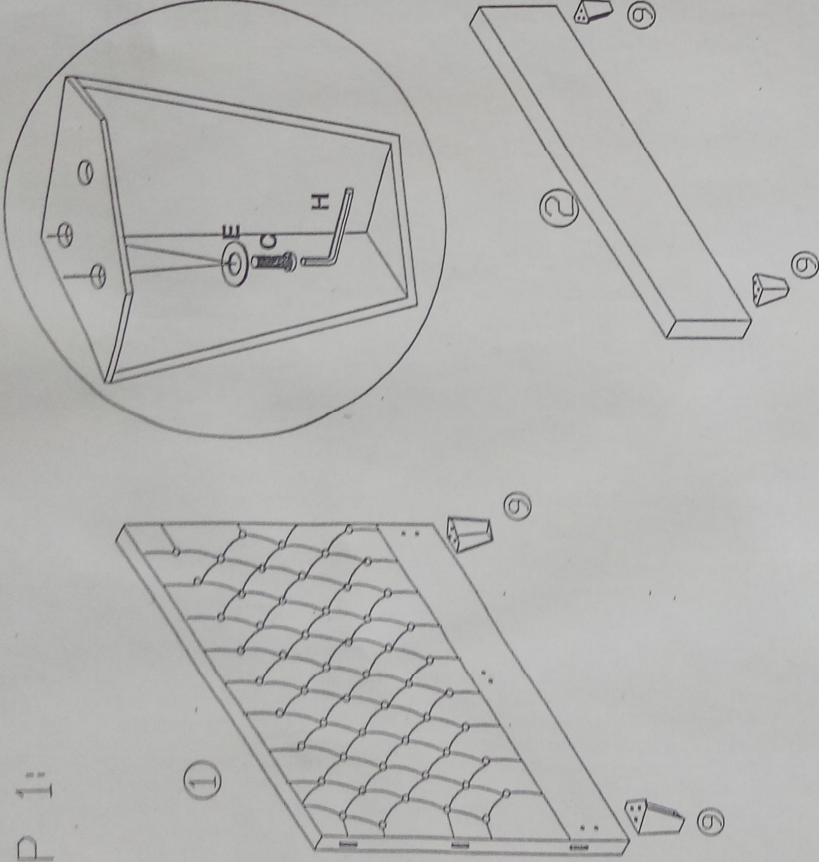
PARTS LIST

- ①-Head Board(1pc) 
- ②-Foot Board (1pc) 
- ③-Side Rails (2pcs) 
- ④-Slats Join 
- ⑤-Center Support(1pc)
Bar 
- ⑥-Support Leg(2pcs) 
- ⑨ -Leg(4pcs) 
- ⑩ - Left wing(1pc) 
- ⑪ - Right wing(1pc) 

HARDWARE LIST

- A Bolt M8*30mm 14pcs 
- B Bolt M8*75mm 6pcs 
- C Bolt M6*25mm 8pcs 
- D Spring Washer 8pcs 
- E Flat Washer $\phi 20$ 18pcs 
- F M8 Allen Key 1pc 
- G Flat Washer $\phi 22$ 6pcs 
- H M4 Allen Key 1pc 
- I 6pos screws 

STEP 1:



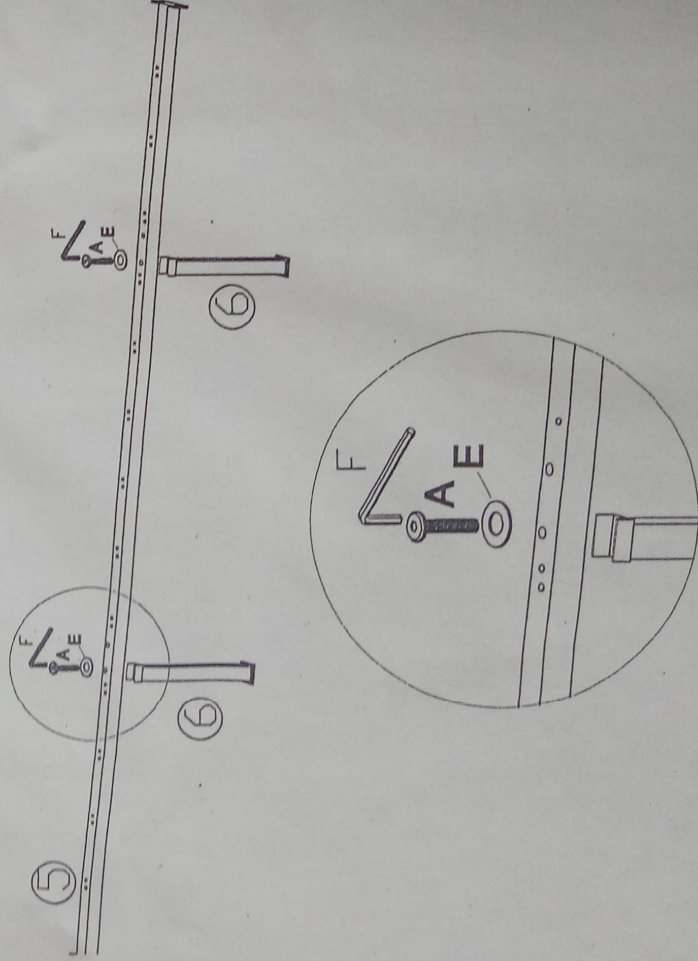
PARTS REQUIRED

- ① Head Board*1
- ② Foot Board*1
- ⑨ Leg*4

HARDWARE REQUIRED

- H*1
- C*8
- E*8

STEP 2:



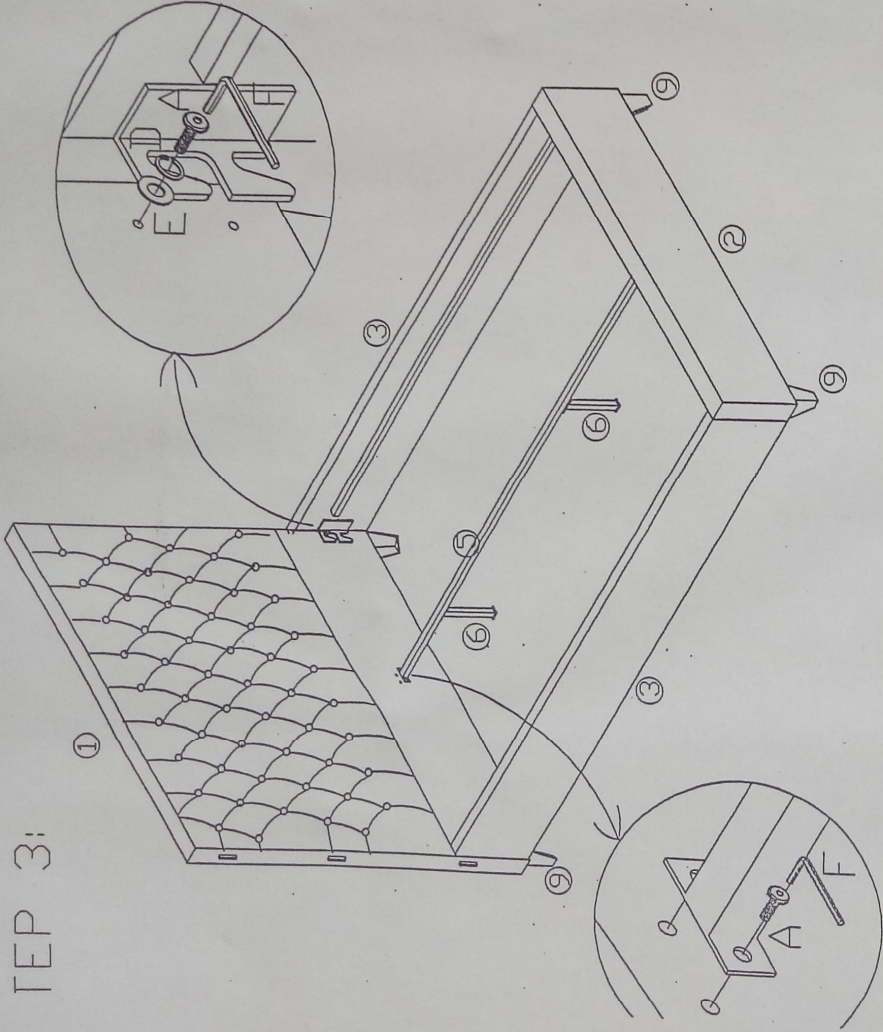
PARTS REQUIRED

- ⑤ Center Support Bar*1
- ⑥ Support Legs*2

HARDWARE REQUIRED

- F*1
- A*2
- E*2

STEP 3:



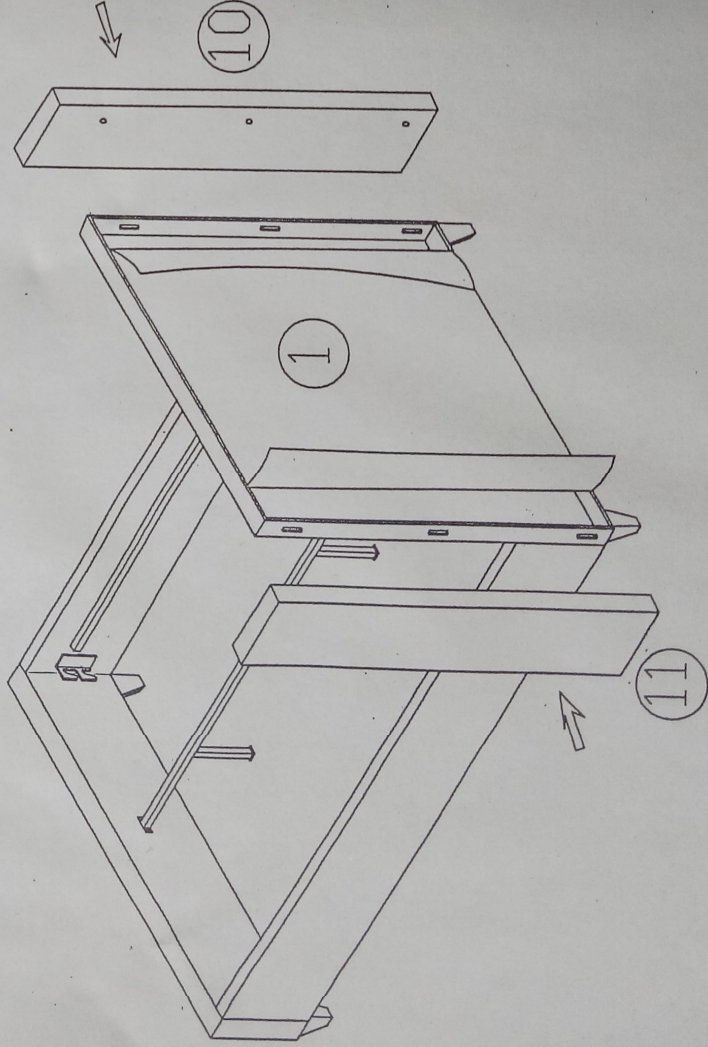
PARTS REQUIRED

- ① Head Board*1
- ② Foot Board*1
- ③ Side Rail*2
- ⑤ Center Support Bar*1
- ⑥ Support Leg*2
- ⑨ Leg*4

HARDWARE REQUIRED

- F*1
- A*12
- D*8
- E*8

STEP 4:



PARTS REQUIRED

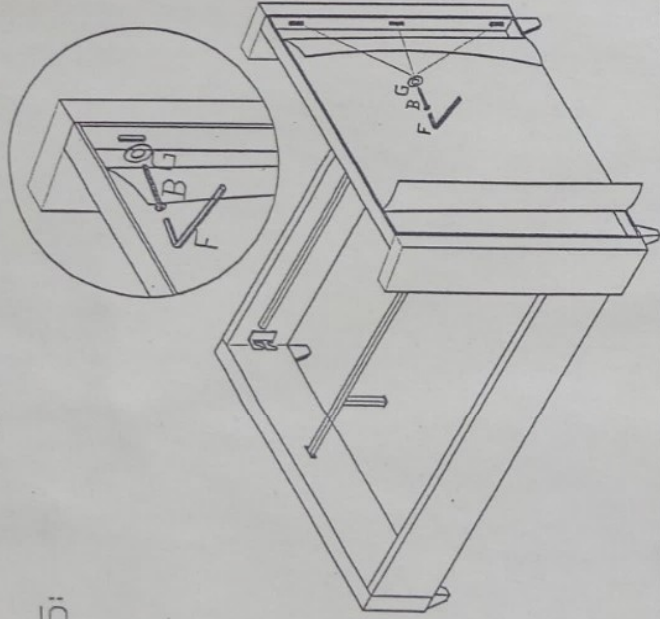
- ⑩ Left wing*1
- ⑪ Right wing*1

EP 5:

- RARTS REQUIRED
- ① Head Board*1
 - ② Foot Board*1
 - ③ Side Rail*2
 - ④ Center Support Bar*1
 - ⑤ Support Leg*2
 - ⑥ Leg*4
 - ⑦ Left wing*1
 - ⑧ Right wing*1

HARDWARE REQUIRED

- F*1
- B*6
- G*6



EP 6:

- RARTS REQUIRED
- ① Head Board*1
 - ② Foot Board*1
 - ③ Side Rail*2
 - ④ Center Support Bar*1
 - ⑤ Support Leg*2
 - ⑥ Leg*4
 - ⑦ Left wing*1
 - ⑧ Right wing*1

